

**Platinum**

**Suite 90**

**The equilibrium  
of strength  
and design**

# Platinum 90

The equilibrium of strength and design.

The Platinum 90 suite incorporates 64mm studs with 13mm plasterboard. This popular suite offers three glazing options; centre glazed, offset glazed and double glazed. Whilst centre glazed is most commonly used, the offset glazed option creates an expansive sensation, and provides practical benefits such as the ability to incorporate blinds within the frame to increase privacy. All three glazing options are

interchangeable. Double glazing provides additional acoustic benefits, and has proved to be a very popular option in locations where sound reduction is important. Executive office suites and windows into the warehouse are two zones where sound reduction is a priority.

## Features of the Platinum 90

- Offers acoustic performance
- Estimated sound rating for solid plasterboard walls.

RW 35 – (without insulation)

RW 40 – (with CAB3 Polyester Insulation);

Provides two plasterboard options:

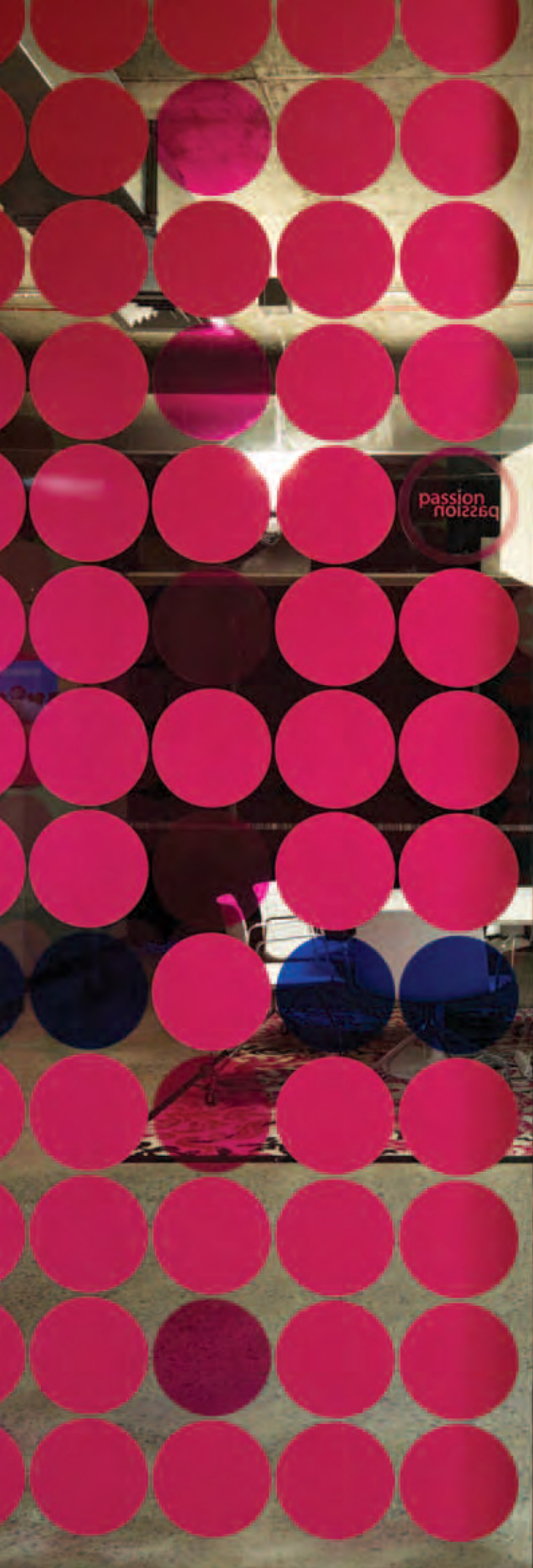
– 64mm studs with a single skin of 13mm plasterboard on either side of the stud; and

– 51mm studs with a double skin of 13mm plasterboard on one side of the stud and a single

skin on the other;

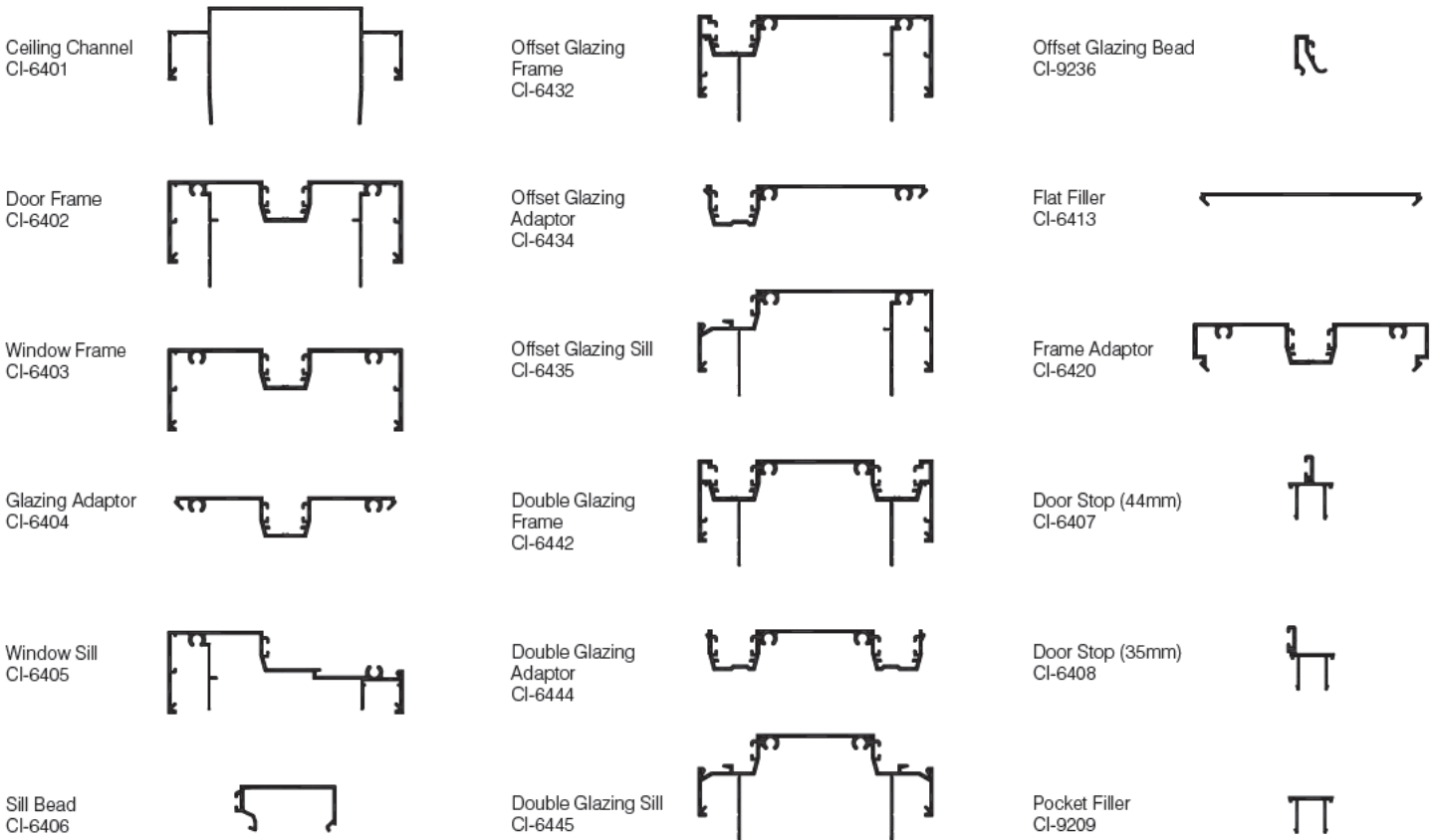
- Glazing pocket incorporates 6mm to 10mm glass;
- Door Stop options allow for 35mm or 44mm doors;
- Glazing pocket accepts either a captive wedge or silicone glazing options; and
- Window/Door frames and Ceiling Channel accommodates gussets providing enhanced joining capabilities.



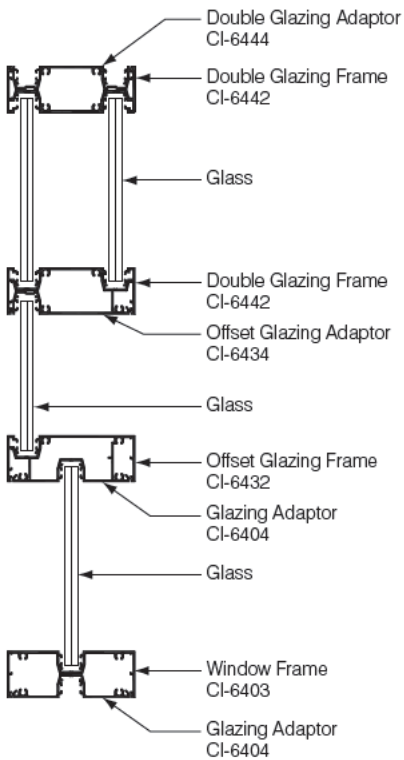


# Platinum 90

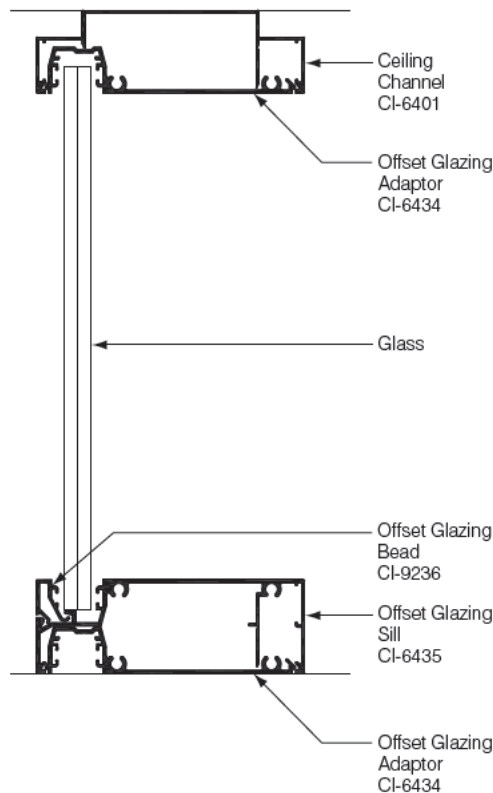
To suit 64mm Studs



## Plan View



## Full Height Offset Glazing



## Half Height Double Glazing

