



## Demountable 44

Atmosphere and environment.

The 44mm suite ensures a crisp and streamlined finish providing space saving opportunities. With its range of design options, the Demountable System provides the designer with the option of creating a variety of outcomes, whilst maintaining a clean streamlined appearance. Each module can be connected together with a variety of configurations, each providing their own distinct appearance and adding to the corporate image of the suite.

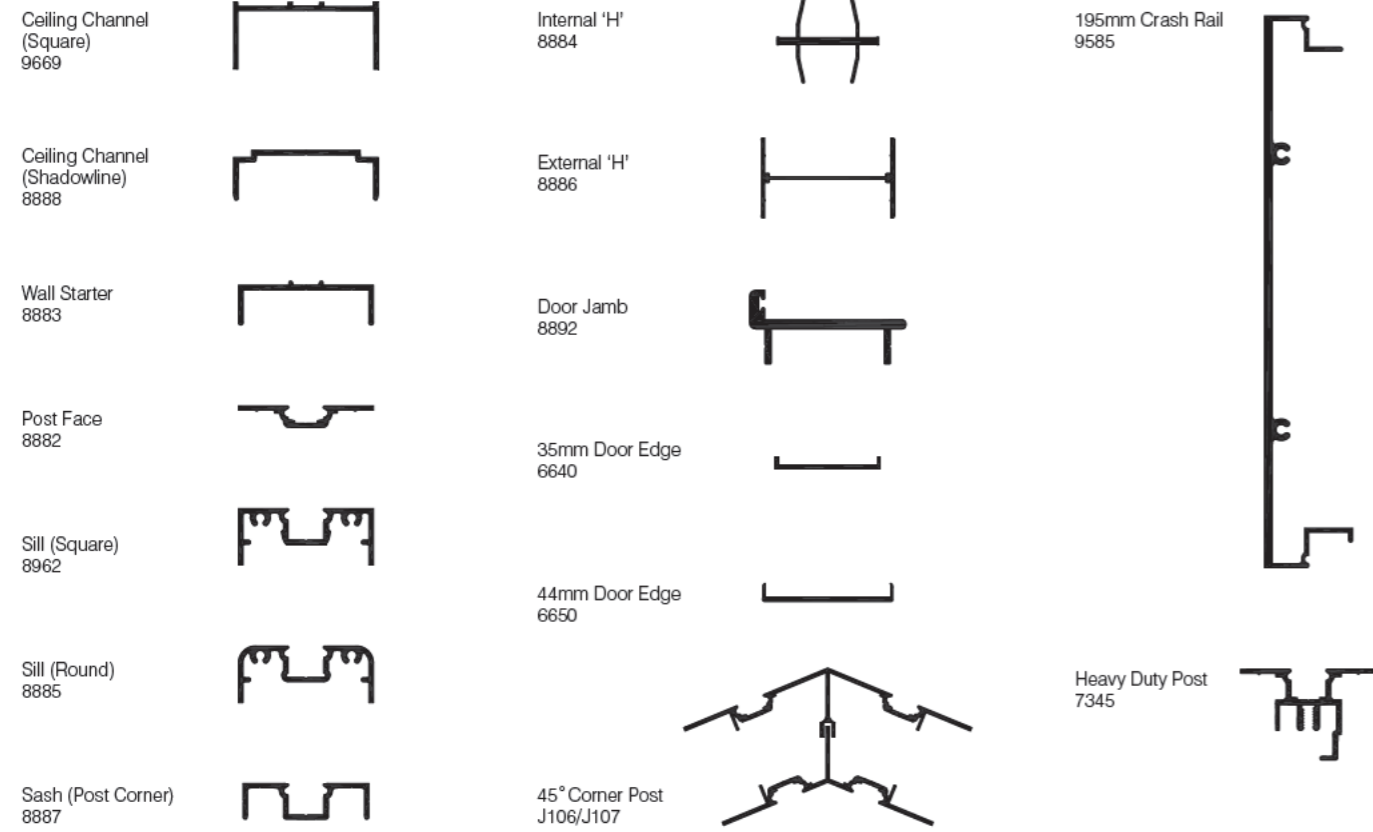
### Features of the Demountable 44

- Prefabricated modular system;
- Reusable and relocatable;
- Minimise trades on site;
- Tax write off advantages (refer to your accountant for more information);
- Streamlined 44mm walls;
- Ease of installation;
- Functional and adaptable; and
- Space savings through minimum wall thickness.

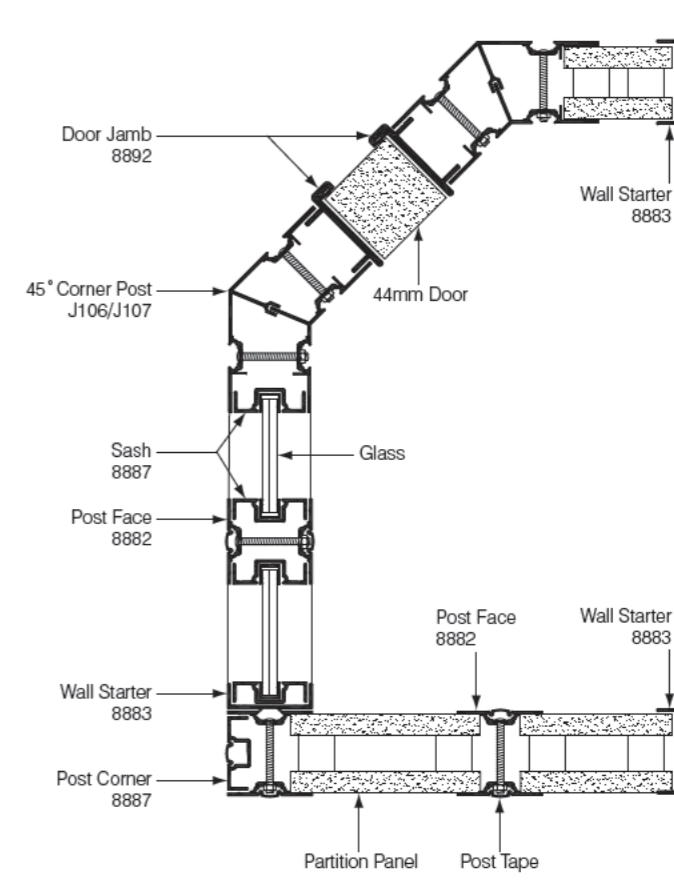


# Demountable 44

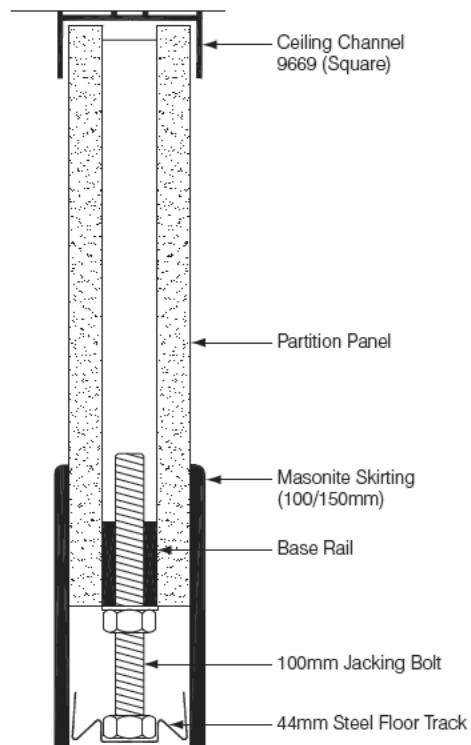
## Section Drawings



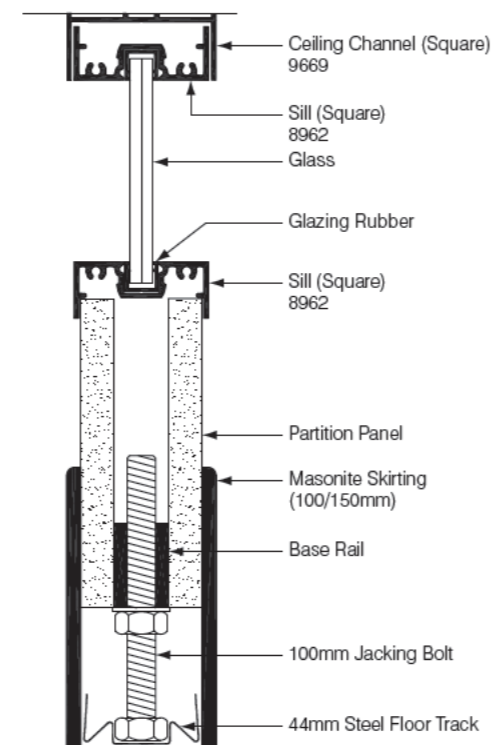
## Plan View



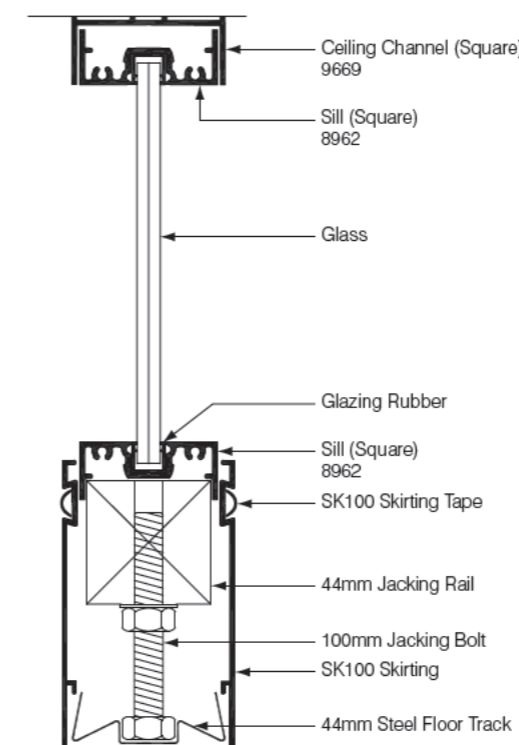
## Full Height 'A' Type



## Half Height 'C' Type



## Full Height 'H' Type



## Full Height Door 'FD' Door Type

