



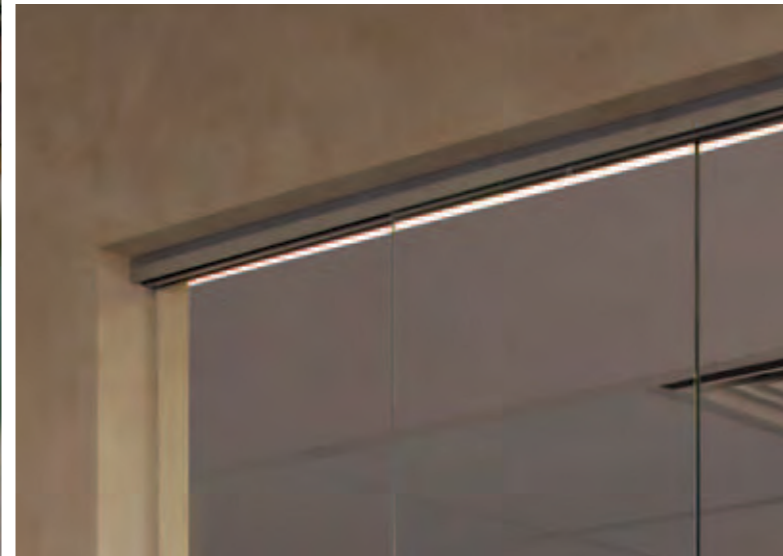
# Miami

Formulating character and distinction.

The Miami semi frameless counter window range is increasingly popular in eatery and reception areas. This series is designed to suit a variety of applications providing security and making openings more serviceable. Options for acoustic and weather seals are also available.

## Features of Miami

- Lockable;
- Smooth operation;
- User friendly; and
- Available in a wide range of finishes.



# Miami

## Counter Windows Sections

Double Head Guide  
CI-21



Double Track  
CI-47



Bottom Race  
CI-48



Single Head Guide  
CI-23



Single Track  
CI-416



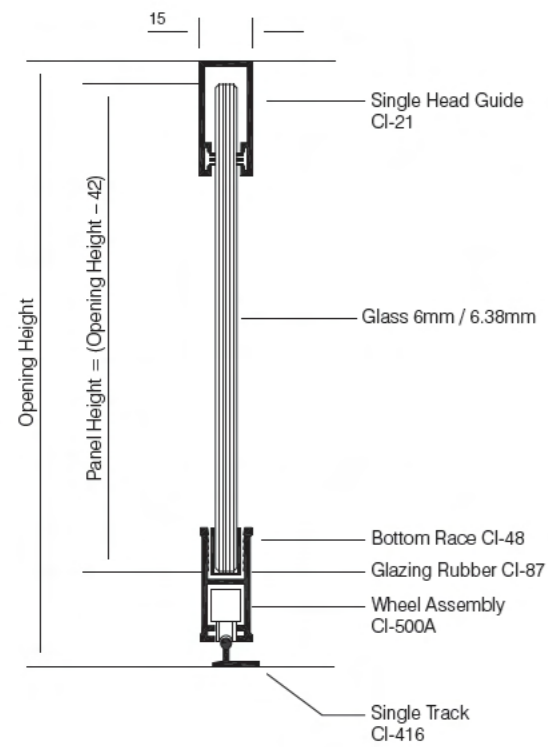
Double Head guide  
CI-20



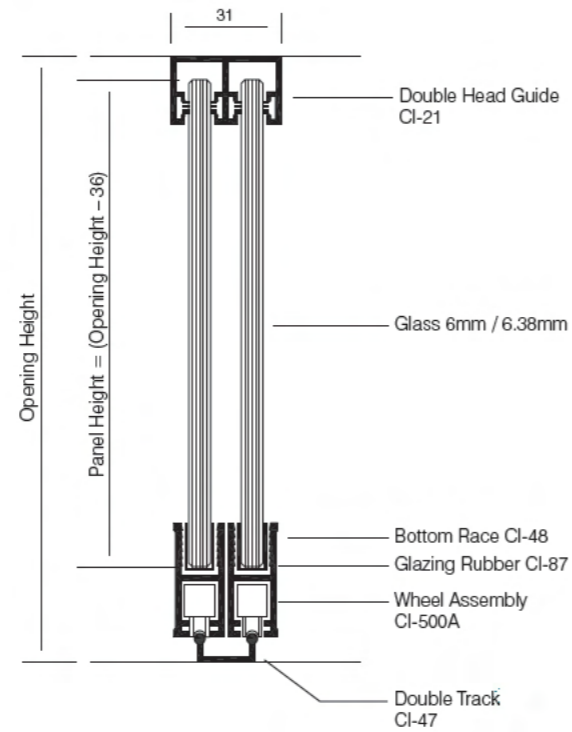
Double Track  
CI-415



## Miami 180 – Single Roller



## Miami 220 – Twin Roller



## Miami 120 – Ball Bearing

