



Multiglaze 90

Virtue of simplicity.

The Multiglaze 90 incorporates 64mm stud and 13mm plasterboard. This suite offers an extensive variety of glazing including centre, offset or double glazed options, which can be used together or independently, providing added design versatility.

The offset allows vertical blinds to be hung and retained within the frame without protruding into the room space. The double-glazed option allows slimline blinds to be installed within the cavity, combined with acoustic benefits.

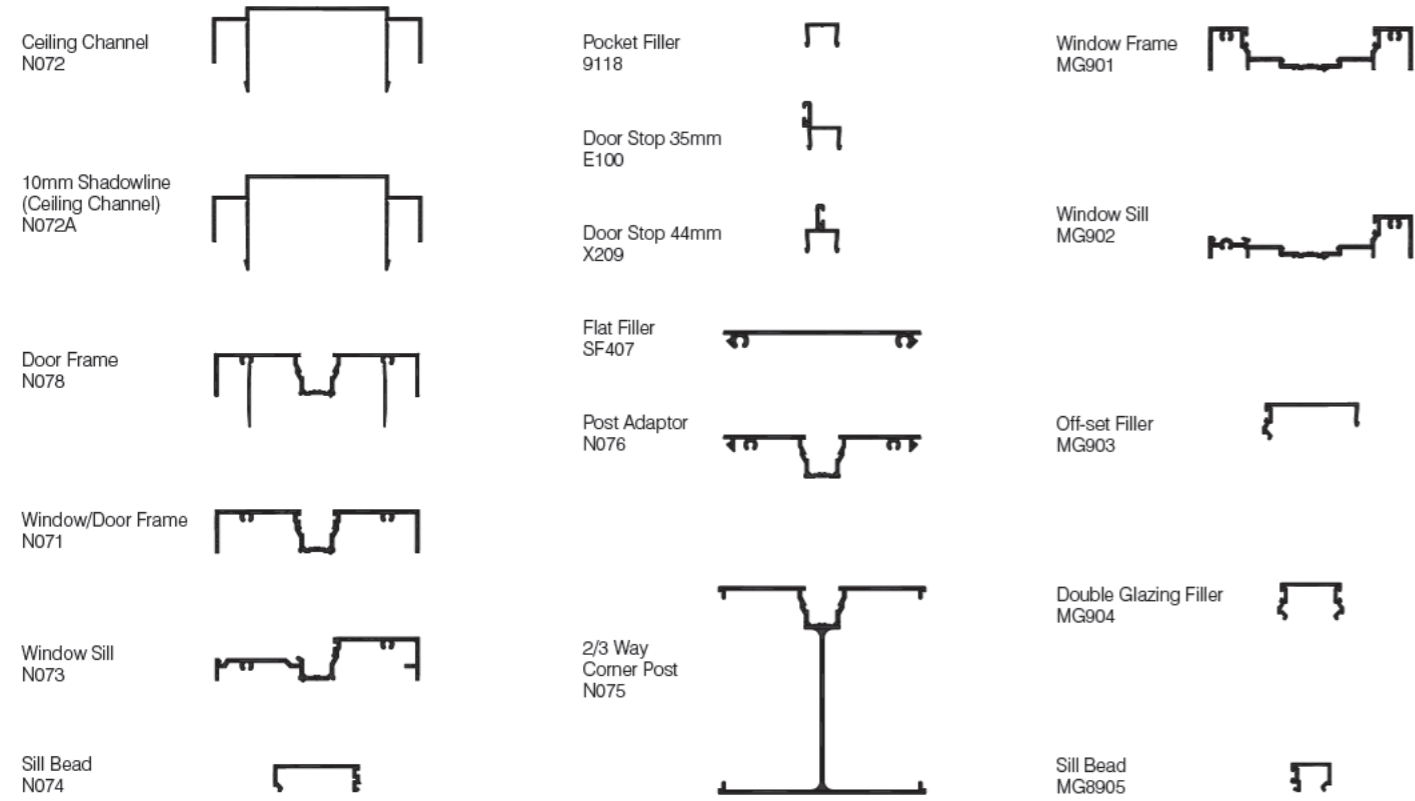
Features of the Multiglaze 90
Provides two plasterboard options:
– 64mm studs with a single skin of 13mm plasterboard on either side of the stud
– 51mm studs with a double skin of 13mm plasterboard on one side of the stud and a single skin on the other
• Offers acoustic performance
• Estimated sound rating for solid plasterboard walls.
RW 35 – (without insulation)

RW 40 – (with CAB3 Polyester Insulation);
• Glazing pocket incorporates 6mm to 10mm glass;
• Door Stop options allow for 35mm or 44mm doors; and
• Suits CAB-3 polyester insulation.

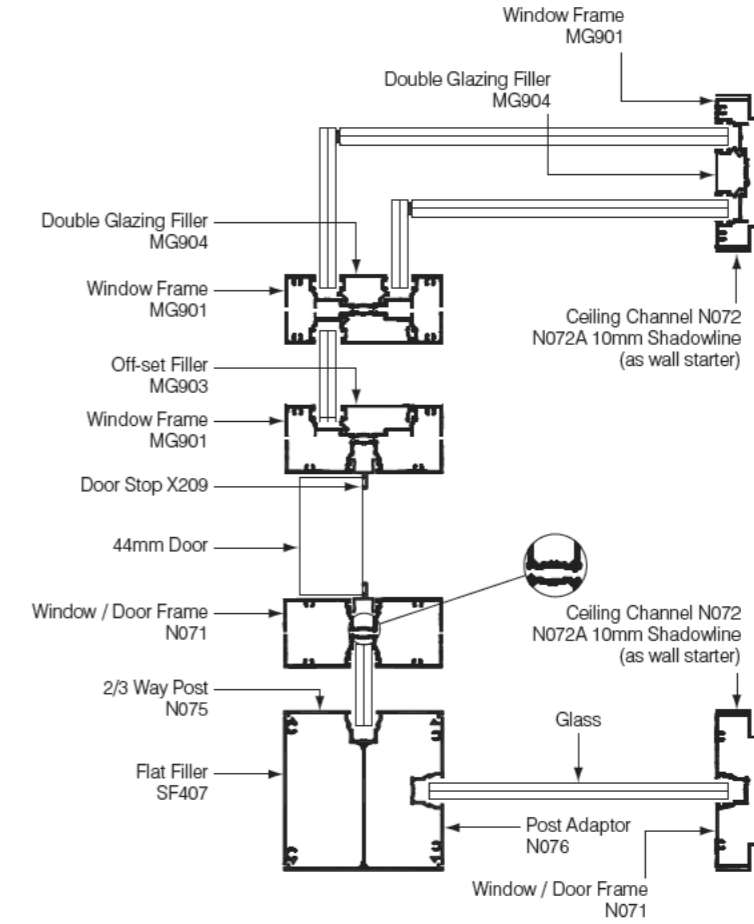


Multiglaze 90

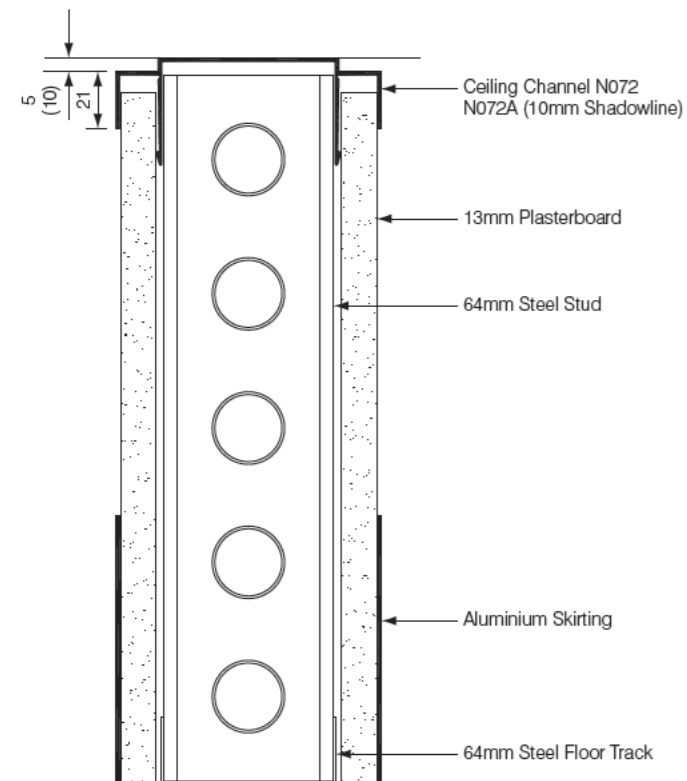
To suit 64mm Studs



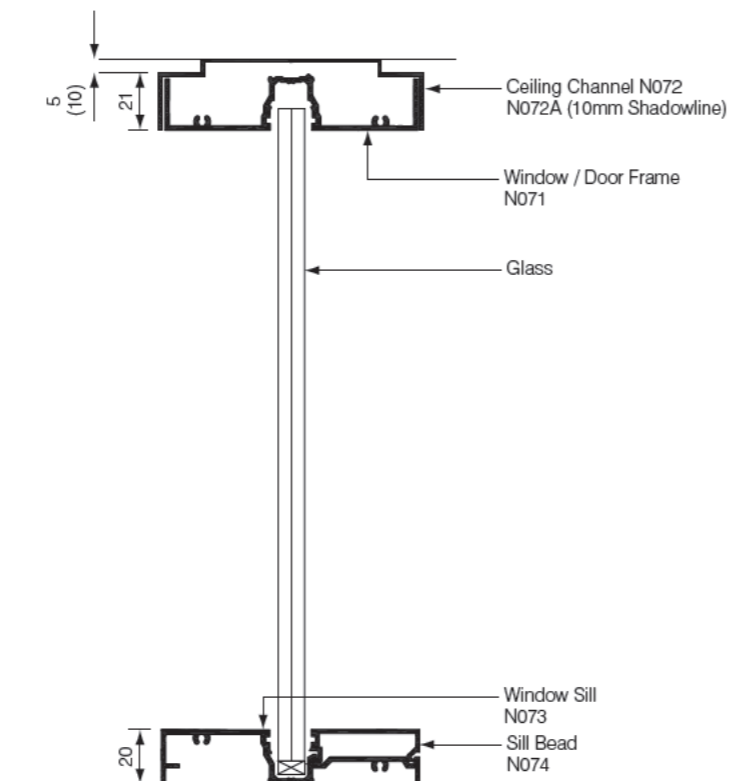
Plan View



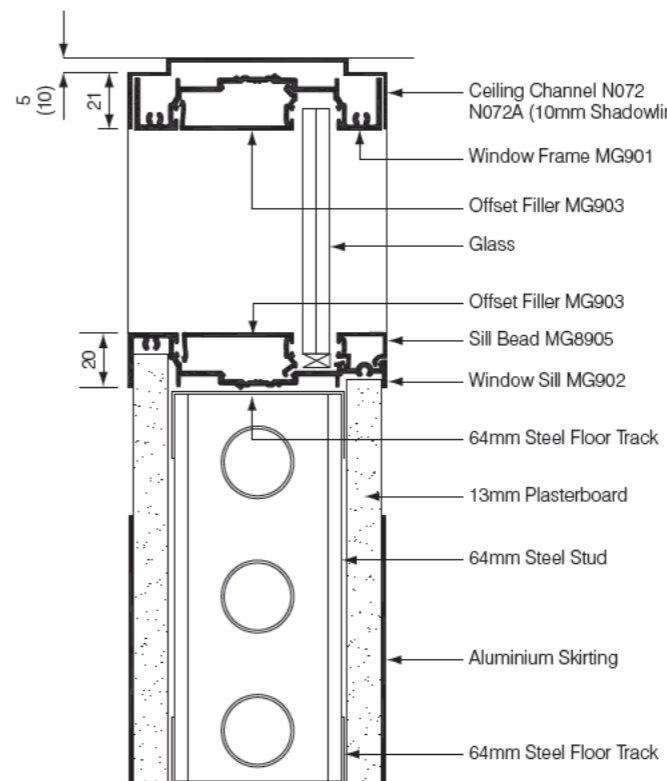
Full Height Plasterboard



Full Height Centre Glazing



Half Height Offset Glazing



Full Height Double Glazing

